

Pressure Seal Self-Mailers

InfoSeals

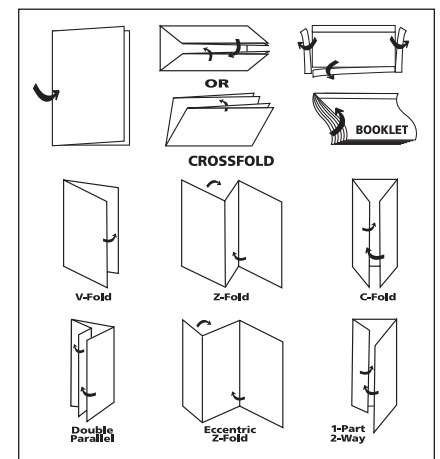


Pressure Seal Self-Mailers are available as custom, Stock and Imprint-On-Demand® formats.

We are the industry leader in self-seal mailers offering the most secure and tamperproof self-mailer available. Pressure seal mailers can be supplied either as cut sheet, continuous or roll forms in multiple sizes and fold configurations. Our forms are compatible with all pressure seal folder/sealers.

By using different papers, inks, security features and value-added features like the ones listed below, we can create forms for most any application.

- Integrated Labels
- Integrated Cards
- Die-Cut Windows
- TransVue™ Windows
- Glassine & Poly Patches
- Security Papers
- MICR Numbering
- Speciality Papers
- 1-Part 2-Way
- 2-Part 2-Way
- Continuous Numbering
- Security Pantographs



Or consider Imprint-On-Demand, a low cost alternative to custom forms, imprint up to 3-colors and MICR number on one of our stock formats. Forms are shipped in 10 to 15 working days.

Stock forms are shipped in 24 hours. Combine any of our Stock Products for Combination Pricing: Pressure Seal + Mailers + InfoSeal + Labels = Lower Cost